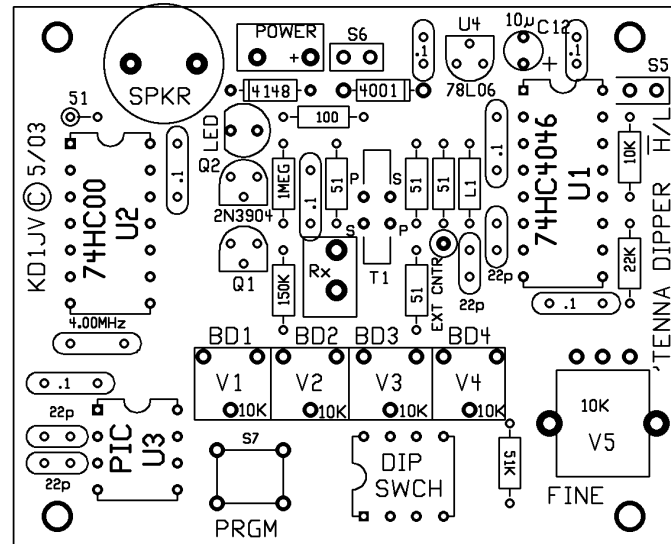
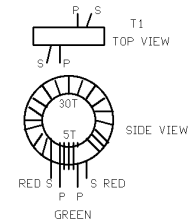
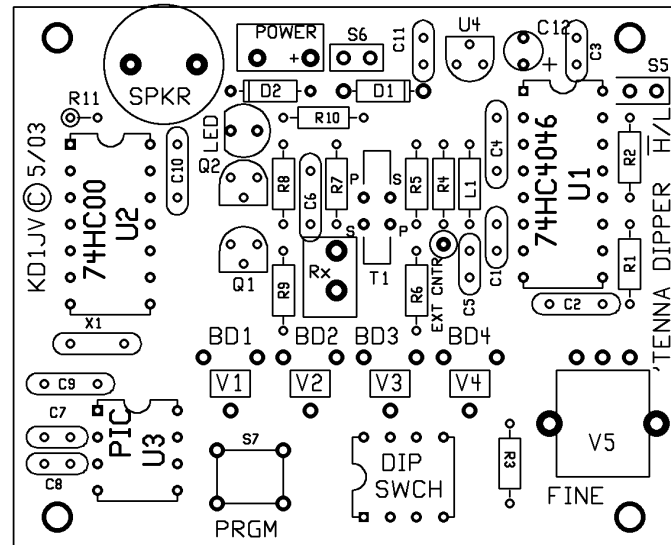
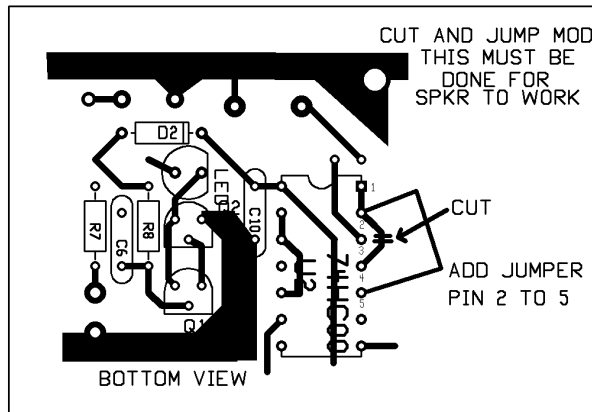


Co:	
Title: "Tenna Dipper"	
Board:	Revision: A
Author: S. Weber KD1JV	Size: A
Date: 5.09.03	Sheet 1 of 1

R1 22K (red/red/org)	C1 22p NPO DISK (22)
R2 10K (brn/blk/org)	C2 .1μF MONO (10+)
R3 51KΩ (grn/brn/blk)	C3 .1μF MONO
R4 51Ω	C4 .1μF MONO
R5 51Ω	C5 22p NPO DISK
R6 51Ω	C6 .1μF MONO
R7 51Ω	C7 22p NPO DISK
R8 1MEGΩ (brn/blk/grn)	C8 22p NPO DISK
R9 150K (brn/grn/yel)	C9 .1μF MONO
R10 100 Ω (brn/blk/brn)	C10 .1μF MONO
R11 51Ω	C11 .1μF MONO
D1 1N4001	C12 10μF/16V ALM ELECTRO
D2 1N4148	V1-4 10K TRIMMER
U1 74HC4046N	V5 10K 9mm POT
U2 74HC00N	.5" MINI SPKR
U3 PIC 12C508A	X1 4.000 MHZ CRYSTAL
U4 78L06	R+ 51Ω
Q1 2N3904	
Q2 2N3904	
LED T1 3/4 RED SUPER BRIGHT	
S1-4 4 POS DIP SWITCH	
S5, S6 2 PIN HEADER PINS	
S7 6mm TAC PB SWITCH	
T1 FT37-43 5 TURNS pri, 30 TURNS sec	
L1 10 TURNS AIR WOUND #24 WIRE 1/8" DIA	
9V SNAP BATTERY CONNECTOR	
2- SHORITNG SHUNTS	



Board: PARTS PLACEMENT	Revision: A
Drawn: ?KD1JV	Size: A
Date: 6-1-2003	Sheet 1 of 1